

ELECTRIC ARTICULATING BOOM LIFTS AB10ERJN(AB320ERJN)

Compliant with CE/ANSI/CSA/EAC standards

www.sinoboom.eu

PRODUCT HIGHLIGHTS

Electric Control System

- Sinoboom family control system (Rexroth, ground and platform), compliant with ISO13849 PLd, safe and reliable
- Electric emergency operation on both ground and platform controller
- Intuitive control system

Compact Design

- With only 1.19m (3'11") narrow chassis and 1.99m (6'6") stowed height, zero tailswing, suitable for confined spaces



Energy Saving & Environment Friendly

- Gravity lower technology
- maintenance free battery, green and zero emissions

Standard Features

Hydraulic platform leveling	5-in display screen	2WD × 2WS
Proportional control	Automotive-grade sleeves for all pipes	Emergency lowering system
Manual storage box	Max tilt rating to 3°	Weighing system
Tilt protection system	Horn & buzzer	Emergency stop system
Flashing beacon	Footswitch	Fault diagnosis system
Solid non-marking tires	Telematics-ready connector	AC power to platform

Options & Accessories

Overhead anti-collision device	Secondary guarding device	Platform work light
--------------------------------	---------------------------	---------------------

SINOBOOM™

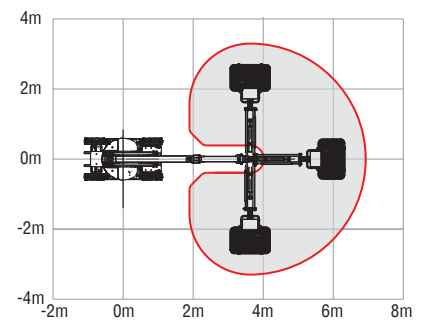
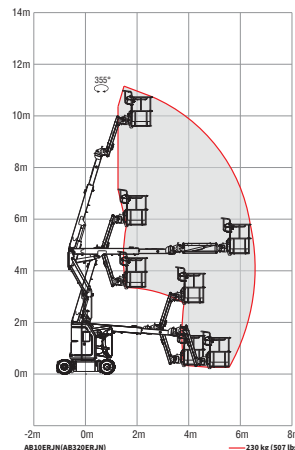
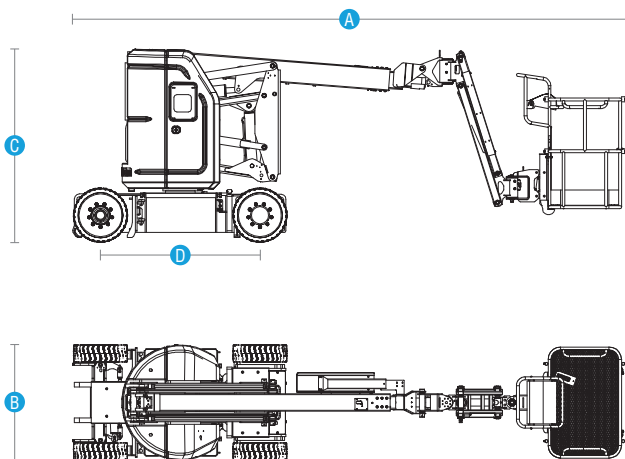
PARTNERS IN ACCESS™

SINOBOOM.EU | INFO@SINOBOOM.EU | +31 180 225 666
Nikkelstraat 26, 2984 AM Ridderkerk, The Netherlands

ELECTRIC ARTICULATING BOOM LIFTS AB10ERJN(AB320ERJN)

Compliant with CE/ANSI/CSA/EAC standards

Model	AB10ERJN(AB320ERJN)
Dimensions	
Max Platform Height	9.62 m (31'7")
Max Working Height	11.62 m (38'1")
Max Horizontal Reach	6.3 m (20'8")
Max Up and Over Clearance	4.63 m (15'2")
A Stowed Length	5.72 m (18'9")
B Stowed Width	1.19 m (3'11")
C Stowed Height	1.99 m (6'6")
D Wheelbase	1.65 m (5'5")
Ground Clearance (Pothole Guard Stowed/Deployed)	0.075 m/0.02 m (2.95"/0.8")
Platform Size (L×W×H)	1.15 m×0.76 m×1.1 m (45.3"×30"×43.3")
Performance	
Max Platform Capacity	230 kg (507 lbs)
Max Platform Occupants	2 persons
Drive Speed (Stowed)	0~5 km/h (0~3.1 mph)
Drive Speed (Raised)	0~0.8 km/h (0~0.5 mph)
Gradeability	35%
Turntable Rotation	355 °non-continuous
Platform Rotation	180°
Jib Length	1.42 m (4'8")
Horizontal Jib Rotation	180°
Vertical Jib Rotation	145° (Up +73° Down -72°)
Tilt Rating	3°
Turning Radius (Inside/Outside)	1.7 m/3.25 m (5'7"/10'8")
Turntable Tail-swing	0 m
Max Allowable Side Force	400 N (90 lbf)
Max Allowable Wind Speed	12.5 m/s (28 mph)
Tire Spec/Type	22×7×17.75" (Solid non-marking)
Power	
Drive×Steer	2 WD × 2 WS
Batteries	48 V,330 Ah (Lead acid AGM battery)
Hydraulic Tank Capacity	20 L (4.4 gal(UK)/5.3 gal(US))
System Voltage	12 V DC
Weight	
Weight	6,760 kg (14,903 lbs)
Standards Compliance	CE/ANSI/CSA



We reserve the right to make changes to specifications. The above represents the current specifications at time of publications. 05. 2023

SINOBOOM

PARTNERS IN ACCESS™

SINOBOOM.EU | INFO@SINOBOOM.EU | +31 180 225 666
Nikkelstraat 26, 2984 AM Ridderkerk, The Netherlands